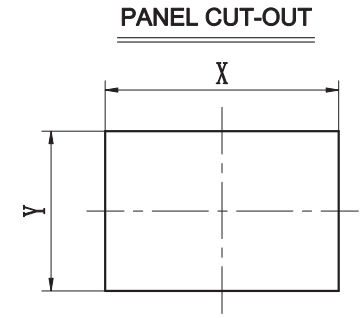
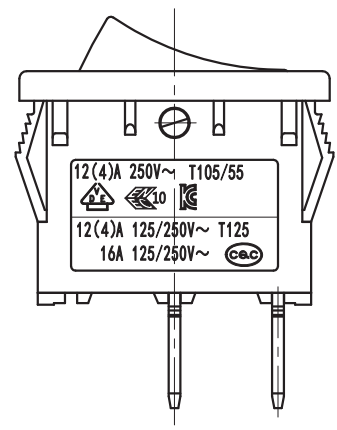
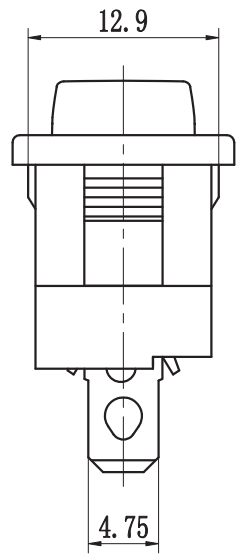
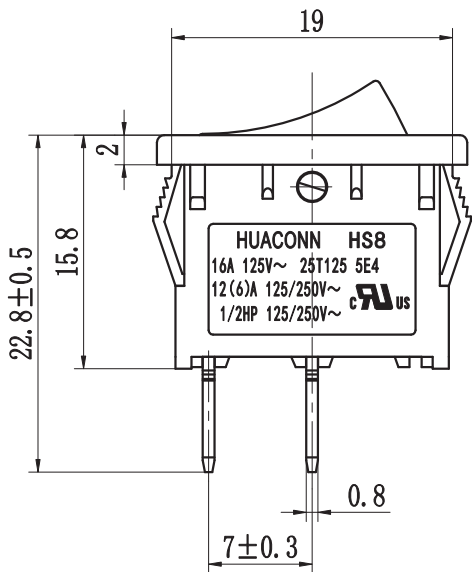


- Technical requirements:**
- Rating : CQC: 16A 125/250V~  
12(4) A 125/250V~  
VDE,ENEC,KC: 12(4) A 250V~  
UL , cUL : 16 A 125V~  
12(6) A 125/250V~  
1/2HP 125/250V~
  - Operating force: 650±350gf
  - Contact resistance: ≤50mΩ
  - Electrical life: ≥10000 cycles
  - Withstand Voltage :Between all terminals:  
1500VAC (50-60Hz) 5s  
Terminals to Button:  
3000V AC (50-60Hz) 5s  
Leakage Current : 5mA
  - Insulation Resistance : ≥100MΩ 500V DC
  - Environmental temperature : -25~+125°C



PANEL THICKNESS	DIM.X	DIM.Y
0.75~1.25	19.0~19.2	13.0
1.25~2.0	19.3~19.5	13.0
2.0~3.0	19.6~19.8	13.0

UNIT单位: mm

COMMON TOLERANCE 普通公差	ISSUE版本	DATE日期	DESCRIPTIONS修改	APPD.核准	PRODUCT NAME 产品名称: Rocker switch	DWN. 绘制: 胡新旺	DATE日期: 2016.01.09
		A	2016/01/09			PART NO. 料号: HS8-F3-8-01Q100-BB03	CHK'D审核: <i>[Signature]</i>
0~10 ±0.1; 10~20 ±0.2; 20~50 ±0.3; 50~ ±0.5;					PRODUCT MODEL 型号: HS8	APPD.核准: <i>[Signature]</i>	DATE日期: 2016.01.09
		SCALE比例: FREE	东莞市德沃电子科技有限公司 Dongguan Dewo Electronics Technology Co., Ltd.				Figure No. 图号 HS8F3C1002